

SAE Technical Standards Board Rules provide that: "This report is published by SAE to advance the state of technical and engineering sciences. The use of this report is entirely voluntary, and its applicability and suitability for any particular use, including any patent infringement arising therefrom, is the sole responsibility of the user." SAE invites your written comments and suggestions.

**REV. D**

**AS1736**

FEDERAL SUPPLY CLASS  
4730

**RATIONALE**

HARMONIZED 17-7 MATERIAL OPTIONS WITH AS1715.

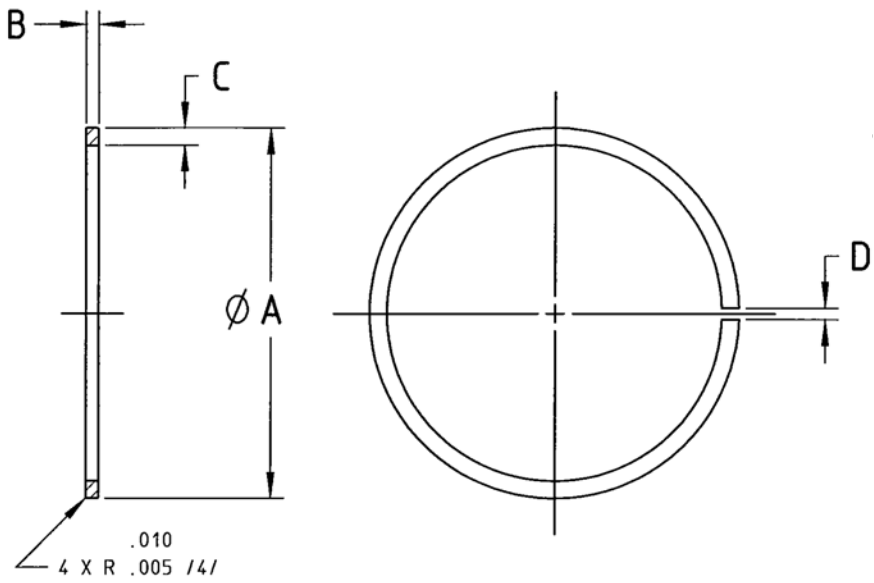
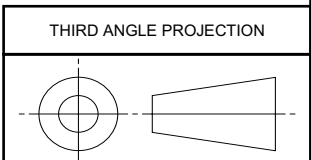


FIGURE 1 - WASHER

**SAE values your input. To provide feedback on this Technical Report, please visit <http://www.sae.org/technical/standards/AS1736D>**



CUSTODIAN: G-3/G-3A      PROCUREMENT SPECIFICATION: /3/ AS1730

	<b>AEROSPACE STANDARD</b>	<b>AS1736</b> SHEET 1 OF 3	<b>REV. D</b>
	WASHER, COUPLING, RIGID, FIXED CAVITY, THREADED, FERRULE TYPE TUBE ENDS		

ISSUED 1984-01      REAFFIRMED 2007-09      REVISED 2014-01